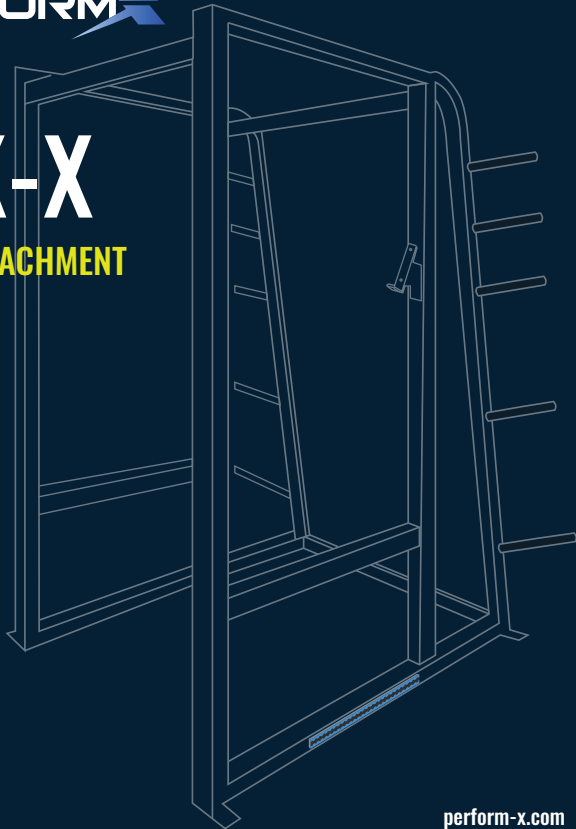


PERFORM 

RAK-X

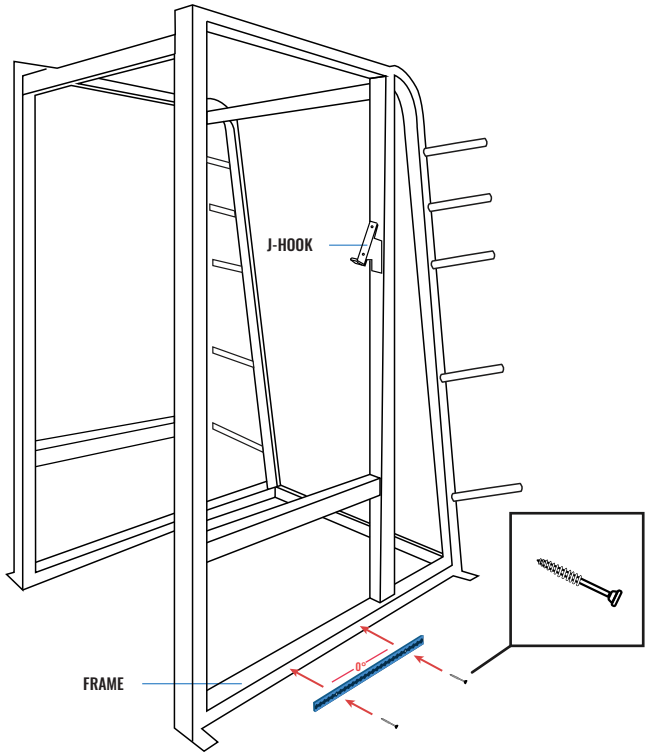
TRAK-X ATTACHMENT



perform-x.com

TRAK-X INSTALLATION

FULL RACK



SCAN FOR SETUP + USE

ITEMS SUPPLIED

- 2 pieces of TRAK-X
- Self-Tapping Screws
- Drill Bit

TOOLS NEEDED

- Power Drill
- Tape Measure
- Level

INSTALLATION INSTRUCTIONS

STEP 1

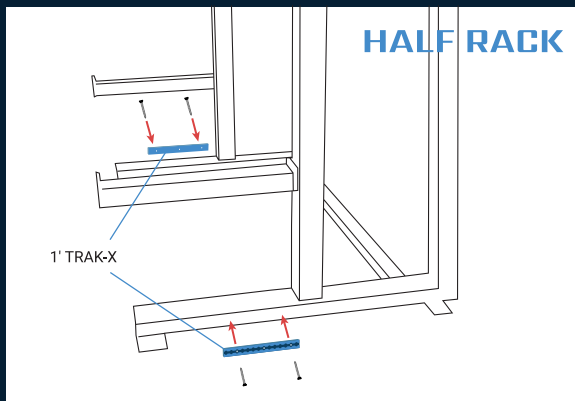
Hold TRAK-X Level on frame closer to J-Hook Standard – measure so both sides are the same and use level if needed

STEP 2

Add self-tapping screw to each hole to secure to frame – pre-drill holes if needed

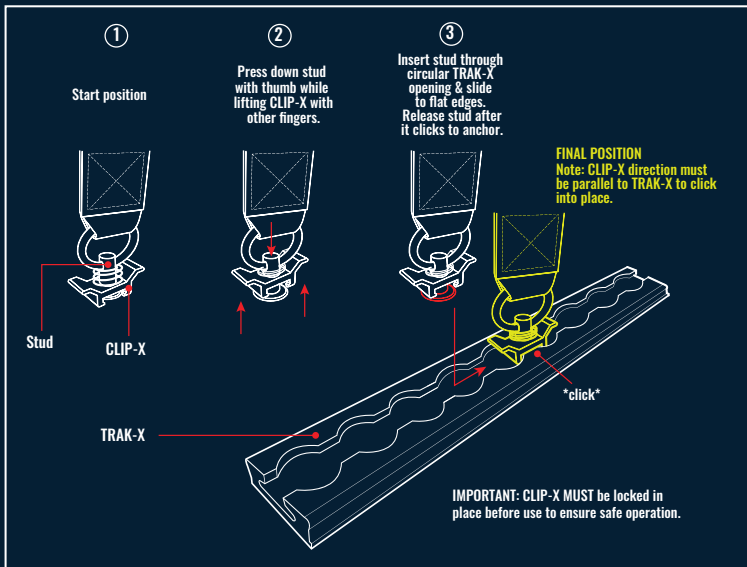
STEP 3

Repeat on opposite side of rack in same location.



PERFORM-X ADVANTAGE

HOW TO SECURE CLIP-X



PERFORM-X TRAINING SYSTEMS LIMITED WARRANTY

The Cord products are warranted for one year to be without defect in material or workmanship. Buyer acknowledges that Perform-X does not manufacture specific raw Cord. If there is a covered defect, Perform-X will: (i) at Perform-X's election, replace the defective Cord; (ii) customer is responsible for the cost of transporting defective Cord to Perform-X. Perform-X will return the replacement Cord to Buyer if actual cord received is deemed defective; Buyer must notify Perform-X of any defect in replacement Cord within a period of ninety (90) days after the Cord is received or it will be deemed to be without defect.

The limited warranties in this Section do not cover any defects or costs caused by: (i) modification, alteration, repair, or installation (ii) physical abuse to, or misuse of, the Cord or operation thereof; or (iii) any use of the Cord other than that for which it was intended. This warranty also excludes all costs arising from routine cleaning maintenance. Perform-X reserves the right to modify, alter or improve the Cord, or parts thereof, at any time without incurring an obligation to modify, alter, improve or replace the Cord, or parts thereof, previously sold.

EXCEPT AS EXPRESSLY PROVIDED IN THIS SECTION 2, (i) PERFORM-X MAKES NO PROMISE OR WARRANTY, EXPRESS OR IMPLIED, WITH RESPECT TO CORD, (ii) PERFORM-X WILL HAVE NO OTHER OBLIGATION OR LIABILITY TO BUYER WITH RESPECT TO ANY DEFECT IN CORD OR ANY NON-CONFORMITY TO THE SPECIFICATIONS OR ANY DAMAGE TO OR CONDITION OF THE CORD OR THE USE OF THE CORD AND (iii) BUYER WILL HAVE NO OTHER REMEDIES IN RESPECT OF SUCH DEFECT, NON-CONFORMITY,

DAMAGE, CONDITION OR USE. WITHOUT LIMITING THE FOREGOING, AND REGARDLESS OF THE CIRCUMSTANCES AND EVEN IF A REMEDY FAILS, PERFORM-X WILL HAVE NO LIABILITY TO BUYER FOR LOSS OF REVENUE OR PROFITS, OR FOR INCIDENTAL, CONSEQUENTIAL OR PUNITIVE DAMAGES OF ANY KIND OR NATURE. THE SPECIFIC WRITTEN WARRANTIES SET OUT IN THIS AGREEMENT FROM PERFORM-X ARE IN LIEU OF ANY OTHER WARRANTY WHATSOEVER. THERE ARE NO WARRANTIES WHICH EXTEND BEYOND THE DESCRIPTION ON THE FACE HEREOF. ANY EXPRESS WARRANTY NOT PROVIDED HEREIN, AND ANY REMEDY WHICH BUT FOR THE WARRANTY CONTAINED HEREIN MIGHT ARISE BY IMPLICATION OR OPERATION OF LAW, IS HEREBY EXCLUDED AND DISCLAIMED INCLUDING THE IMPLIED WARRANTIES OF MERCHANTABILITY AND OF FITNESS FOR A PARTICULAR PURPOSE OR USE. PERFORM-X HAS NO LIABILITY ASSOCIATED WITH THE USE OF THE CORDS. IT IS UNDERSTOOD AND AGREED THAT PERFORM-X'S LIABILITY AND BUYER'S SOLE REMEDY, WHETHER IN CONTRACT, UNDER ANY WARRANTY, IN TORT (INCLUDING NEGLIGENCE), IN STRICT LIABILITY OR OTHERWISE SHALL NOT EXCEED THE RETURN OF THE AMOUNT OF THE PURCHASE PRICE PAID BY BUYER. THIS WARRANTY GIVES BUYER SPECIFIC LEGAL RIGHTS, AND BUYER MAY ALSO HAVE OTHER RIGHTS WHICH VARY FROM STATE TO STATE.